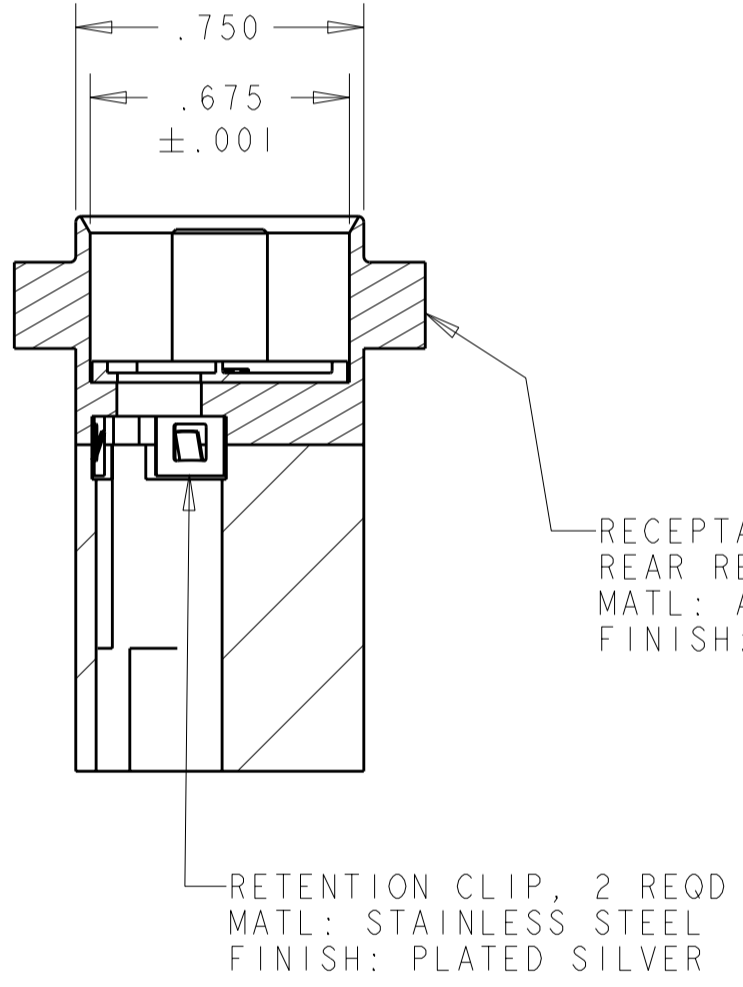
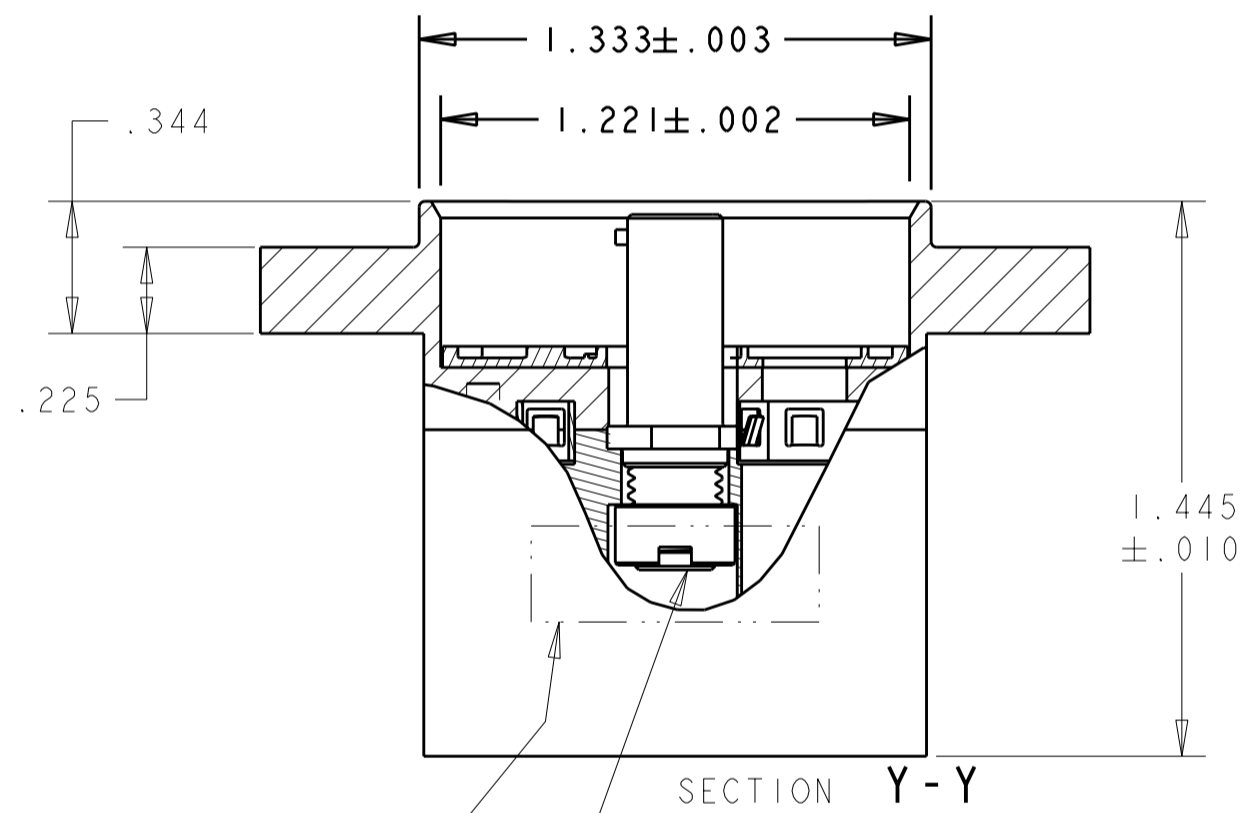
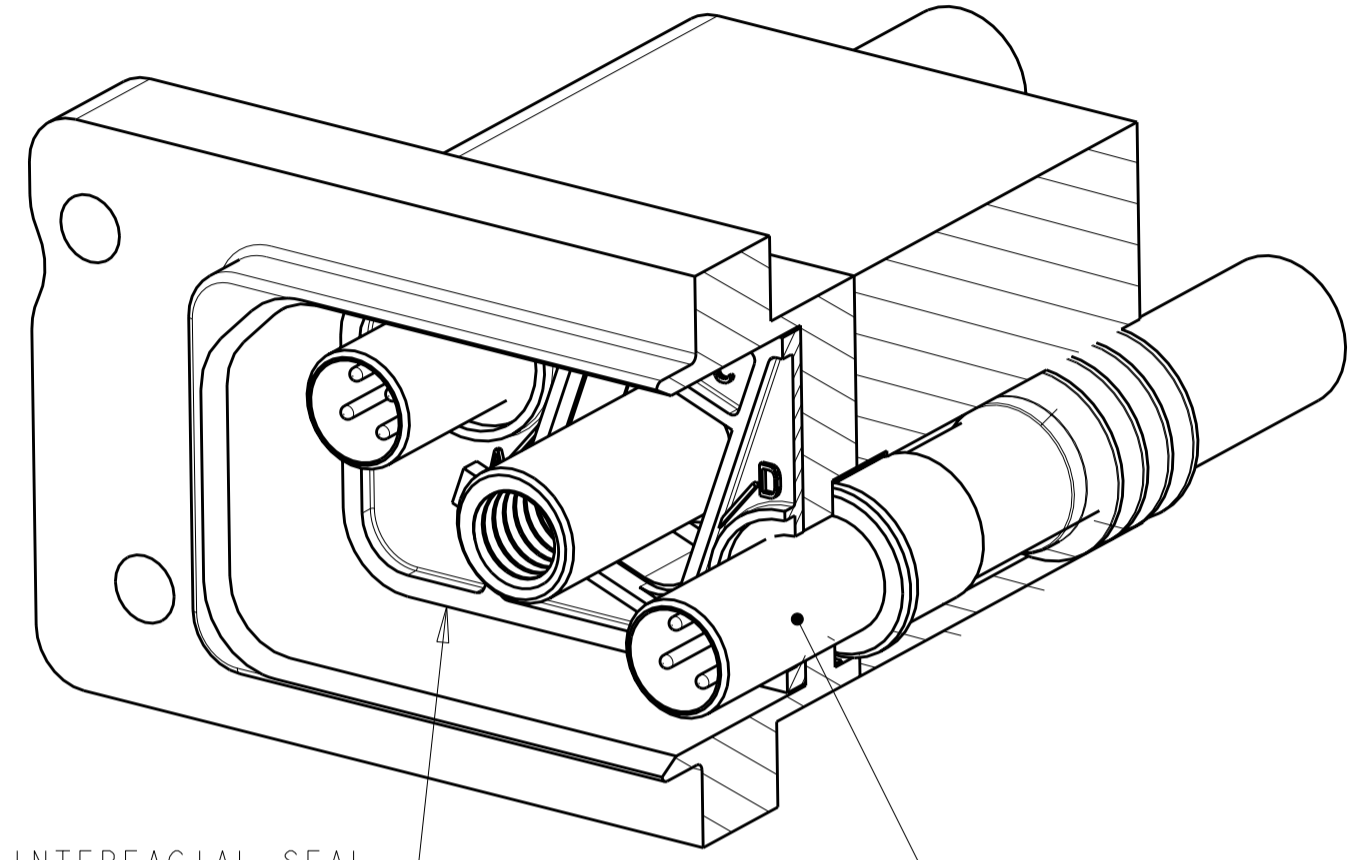
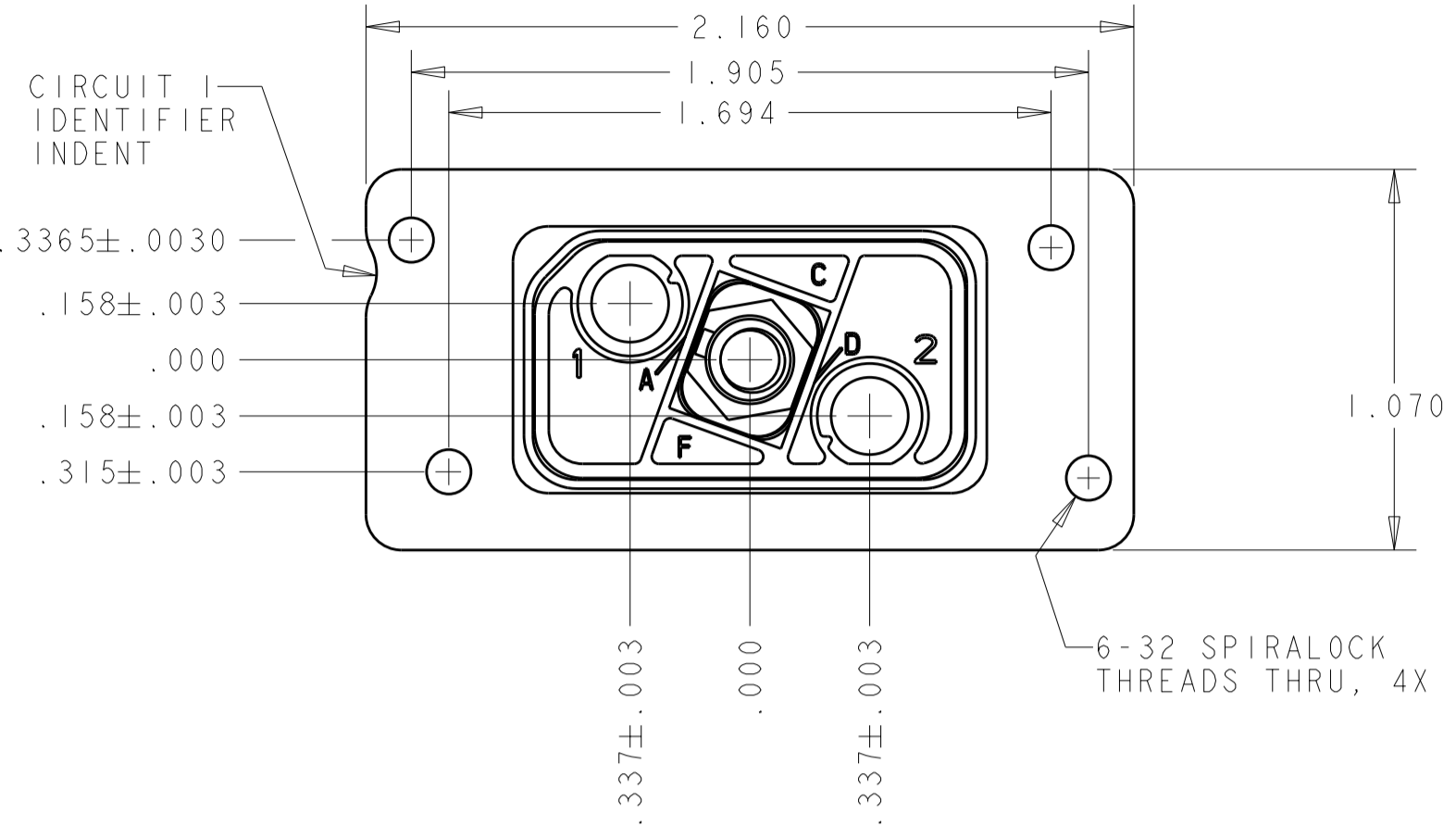


THIS DRAWING IS UNPUBLISHED. RELEASED FOR PUBLICATION 20
 © COPYRIGHT 20 BY TYCO ELECTRONICS CORPORATION. ALL RIGHTS RESERVED.

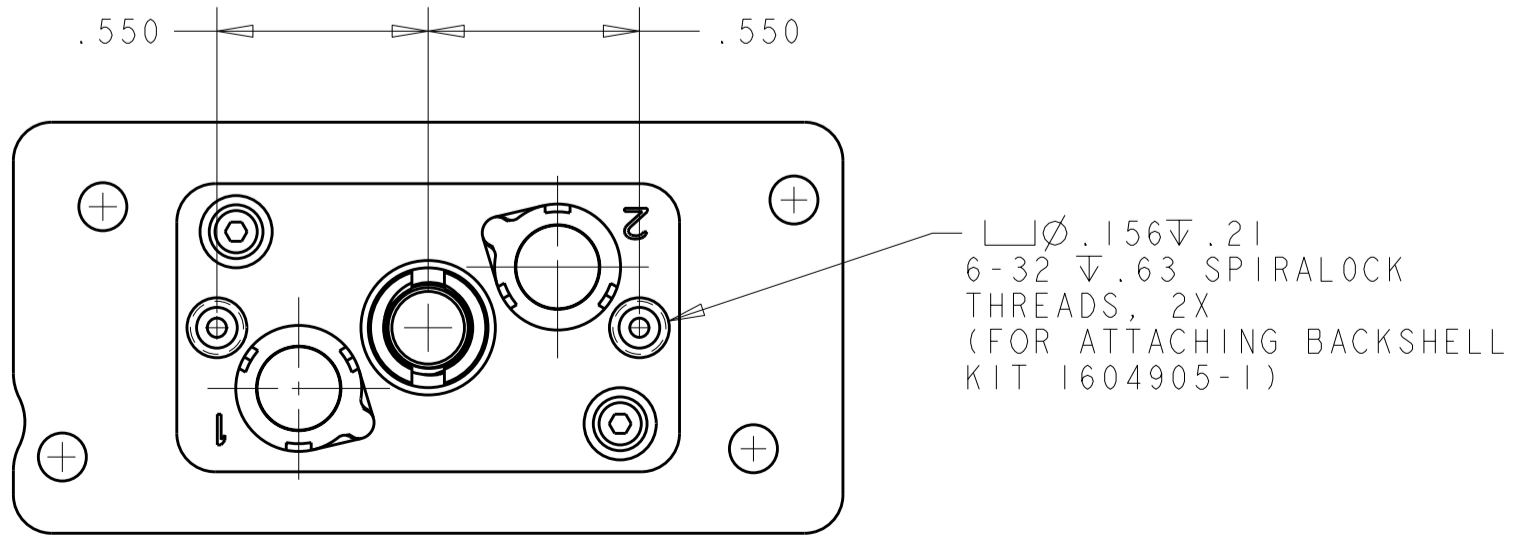
LOC		DIST		REVISIONS			
P	LTR	DESCRIPTION	DATE	DWN	APVD		
DF	A5	A	REV PER ECO 08-000829	13MAR2008	CT	DM	



TE LOGO, DATE CODE AND EITHER CUSTOMER OR TE PART NUMBER (PER TABLE) MARKED APPROX AS SHOWN ON NEAR OR FAR SIDE

JACKPOST AND RETENTION NUT KIT, SIMILAR TO BACC65AG; FLAT PLZN; INCLUDED, BUT NOT INSTALLED

⚠ JACKPOST-RETENTION NUT KIT IS UNASSEMBLED TO CONNECTOR ASSY. KIT IS PACKAGED IN SEALED BAG.



1445692-3	---	⚠ WITH JACKPOST-RETENTION NUT KIT (FLAT POLARIZATION) INCLUDES DUST COVER	1604897-5
1445692-4	BACC65BD2A	⚠ WITH JACKPOST-RETENTION NUT KIT (FLAT POLARIZATION) INCLUDES DUST COVER	1604897-4
1445692-2	---	⚠ WITH JACKPOST-RETENTION NUT KIT (FLAT POLARIZATION) INCLUDES DUST COVER	1604897-2
RECOMMENDED CONTACT WITH WIRE SEAL	BOEING PART NUMBER	DESCRIPTION	PART NO.

THIS DRAWING IS A CONTROLLED DOCUMENT FOR TYCO ELECTRONICS CORPORATION. IT IS SUBJECT TO CHANGE AND THE CONTROLLING ENGINEERING ORGANIZATION SHOULD BE CONTACTED FOR THE LATEST REVISION.

DWN: BYOHN 06 JUN 03
 CHK: W.H. BERNHART 16 MAR 04
 APVD: W.H. BERNHART 16 MAR 04

Tyco Electronics
Harrisburg, PA 17105-3608

NAME: ASSEMBLY, RECEPTACLE, QUADRAX, PANEL MOUNT, RR/RR, 2 POSN

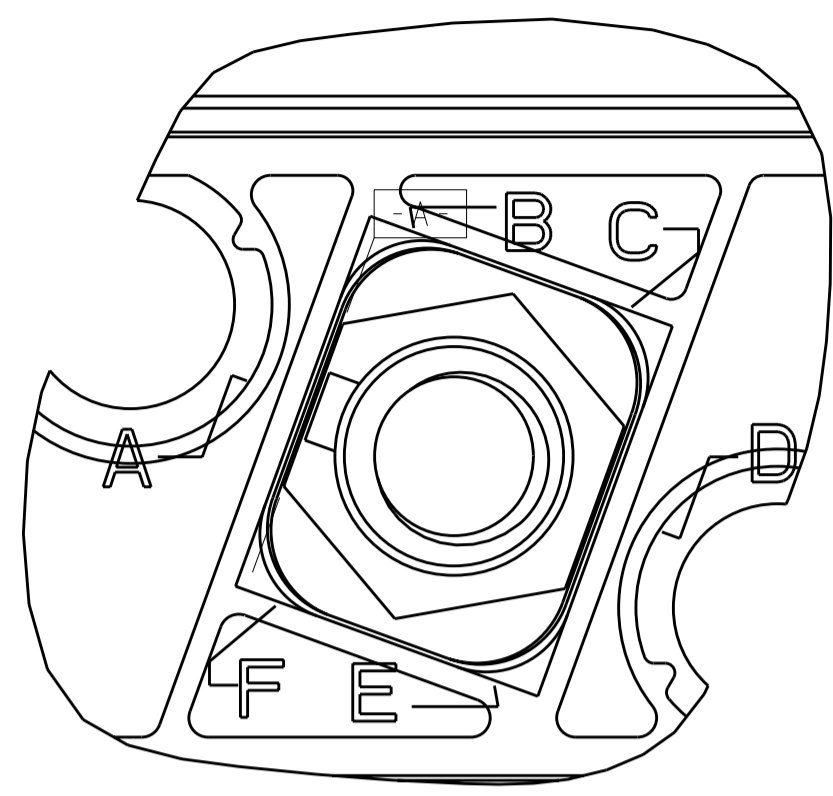
SIZE: A2 CAGE CODE: 00779 DRAWING NO: 1604897 RESTRICTED TO: -

MATERIAL: SEE CALLOUTS FINISH: SEE CALLOUTS WEIGHT: -

CUSTOMER DRAWING SCALE: 1:1 SHEET 1 OF 2 REV A

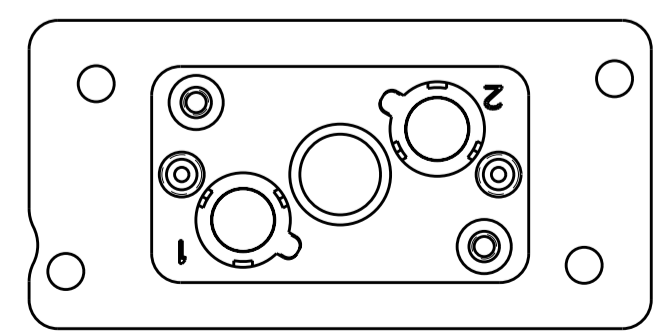
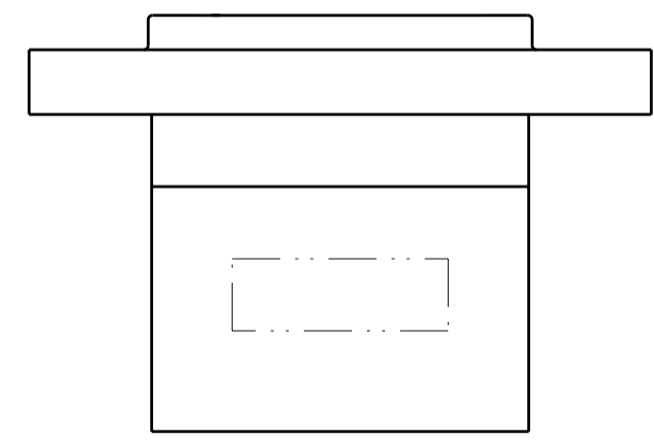
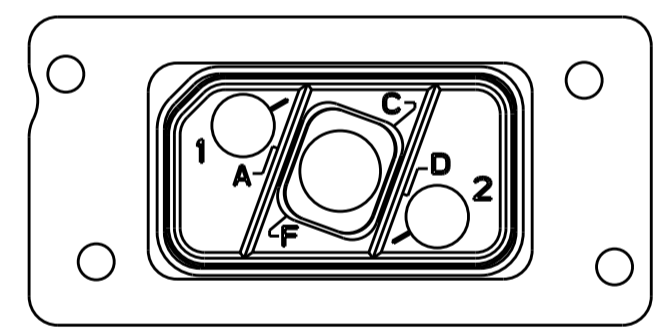
THIS DRAWING IS UNPUBLISHED. RELEASED FOR PUBLICATION 20
 © COPYRIGHT 20 BY TYCO ELECTRONICS CORPORATION. ALL RIGHTS RESERVED.

LOC	DIST	REVISIONS					
DF	A5	P	LTR	DESCRIPTION	DATE	DWN	APVD
		-		SEE SHEET 1			

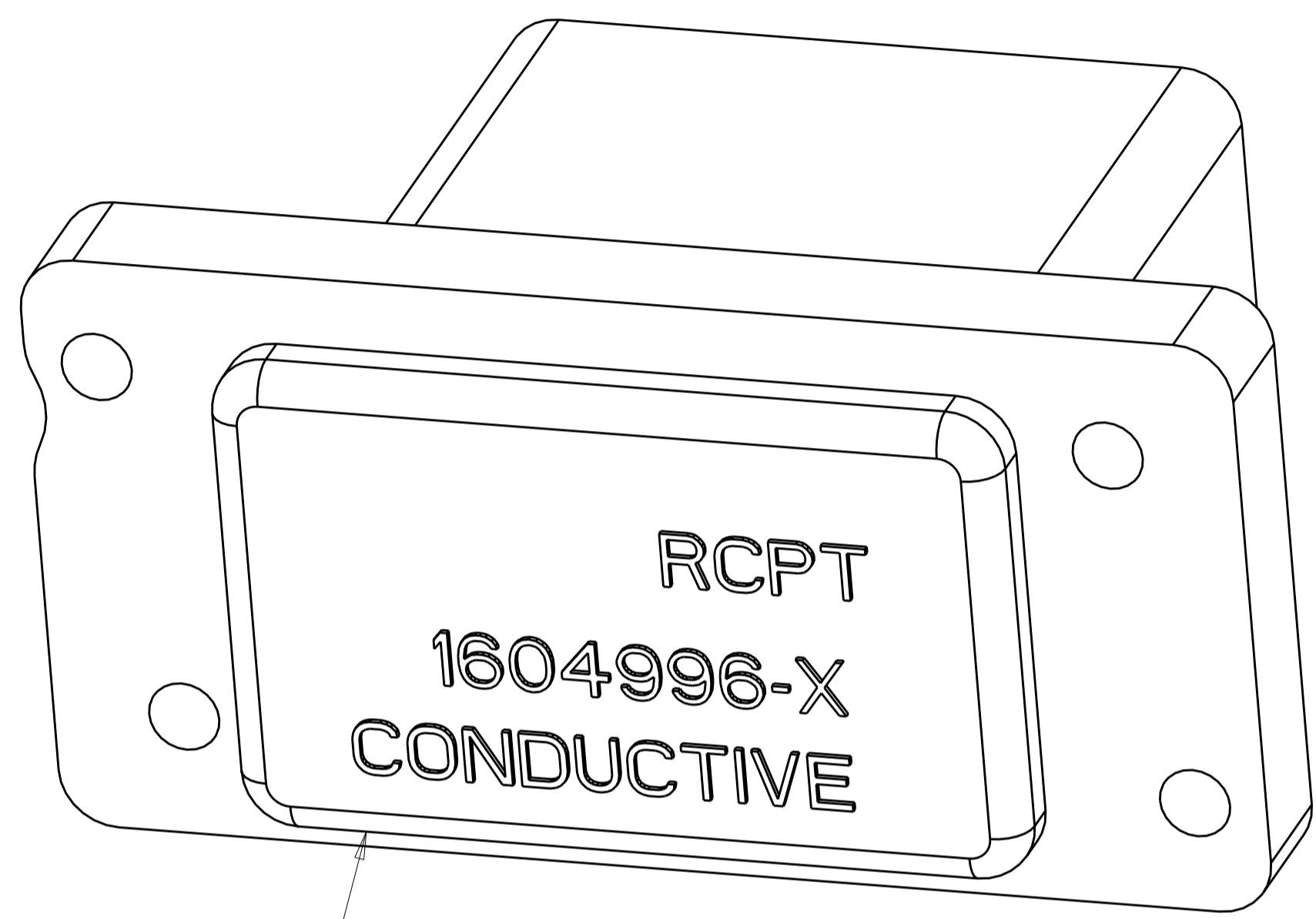


**1604897-2, -4 & -5
(FLAT PLZN)**

(CODES A, B, C, D, E, AND F;
 SHOWN FOR REF ONLY)
 (MARKING ON INTERFACIAL SEAL
 WILL ONLY SHOW A, C, D AND F)



1604897-2
 SCALE 3:2



ESD DUST COVER; PART NUMBER 1604996-2
 INCLUDED WITH ASSEMBLIES

SHOWN WITH DUST COVER

<small>THIS DRAWING IS A CONTROLLED DOCUMENT FOR TYCO ELECTRONICS CORPORATION IT IS SUBJECT TO CHANGE AND THE CONTROLLING ENGINEERING ORGANIZATION SHOULD BE CONTACTED FOR THE LATEST REVISION.</small>		DWN BYOHN 06 JUN 03 CHK W.H. BERNHART 16MAR04 APVD W.H. BERNHART 16MAR04	Tyco Electronics Tyco Electronics Harrisburg, PA 17105-3608
DIMENSIONS: IN 	TOLERANCES UNLESS OTHERWISE SPECIFIED: 0 PLC ± 1 PLC ± 2 PLC ± 3 PLC ±.005 4 PLC ± ANGLES ±° FINISH	PRODUCT SPEC APPLICATION SPEC WEIGHT CUSTOMER DRAWING	NAME ASSEMBLY, RECEPTACLE, QUADRAX, PANEL MOUNT, RR/RR, 2 POSN SIZE CAGE CODE DRAWING NO RESTRICTED TO A200779 C-1604897 -
		SCALE 1:1	SHEET 2 OF 2 REV A